

URBANWORX™

FULL HD ACTION CAMERA CAM-1080PFHD



INSTRUCTION MANUAL

Please read this manual carefully before using,
and keep it for future reference.

CONTENTS

General Safety	4
The Basics	5
Removing Battery	6
Charging	7
Memory card use	7
Accessing Files	8
Wrist Remote Control	9
First Time Use	10
Shooting Mode	10
Video Recording Mode	11
Car Carrying Mode	11
Replay Menu	12
Specifications	13

GENERAL SAFETY

Read this manual thoroughly before you start using the Urbanworx Action Camera. Store this manual, the completed warranty card, your receipt and the product packaging. The safety precautions instructions reduces the risk of fire, electric shock and injury when correctly complied to.

Please follow all instructions and take notice of all warnings.

To reduce the risk of injury:

- Keep batteries out of reach of children.
- Do not heat, open, or dispose of battery pack in fire.
- Do not allow metal objects to touch the battery on the device.
- Do not expose battery pack to excessive heat.

WARNING:

Use caution when using you Action Camera as part of your active lifestyle. Always be aware of your surroundings to avoid injury to yourself and others.

Abide by all local laws when using your Action Camera and related mounts and accessories, including all privacy laws, which may restrict recording in certain areas.

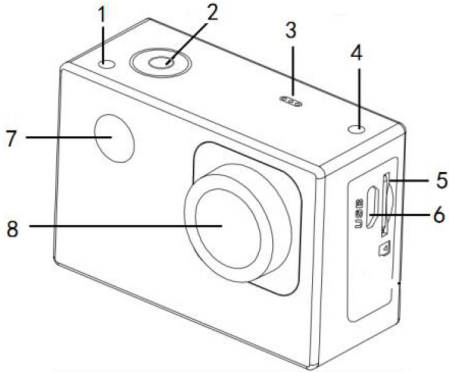
CAUTION:

Danger of explosopn if the battery is incorrectly replaced.
Replace only the same or equivalent type.

Incorrect usage of batteries may result in battery leakage, overheating, or explosion. Released battery fluid is corrosive and can be toxic. It can cause skin and eye burns, and is very harmful if swallowed.

THE BASICS

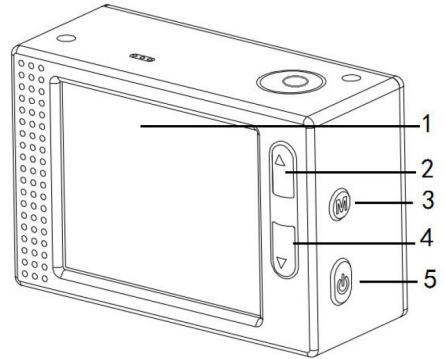
FRONT



FRONT:

1. Battery Indicator
2. Shutter Key
3. Microphone
4. Charging Indicator
5. Micro SD Card Slot
6. Micro USB Port
7. Infrared Remote Light
8. Lens

BACK



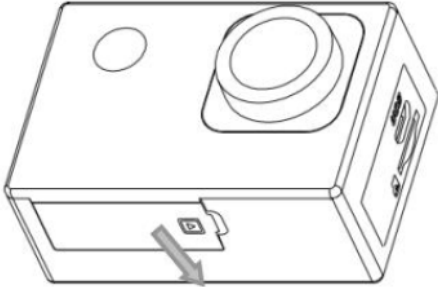
BACK:

1. LCD Screen
2. Up
3. Mode Button
4. Down
5. Power On/Off

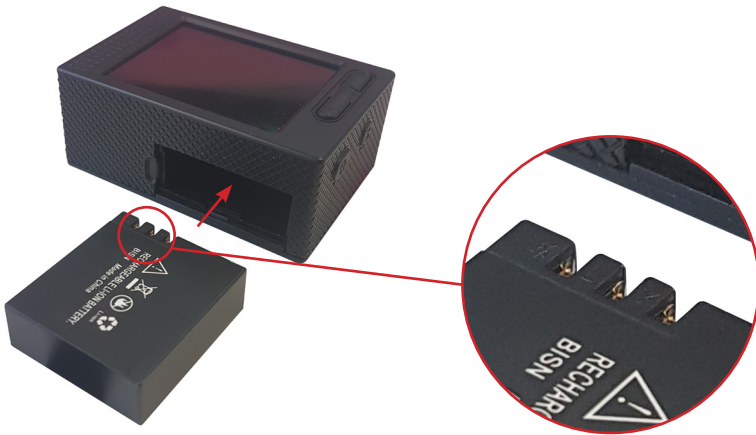
REMOVING BATTERY

Removing battery from the camera

1. Remove the battery door by placing your thumb.
2. Allow the door to pop out, grasp the battery pull-tab and remove from the camera.



3. When re inserting the Battery pack, ensure the LCD side of the Action Camera is facing up and the Battery pack connections facing up and insert the battery pack. (refer to below picture)



CHARGING

Charge the built-in Lithium Battery

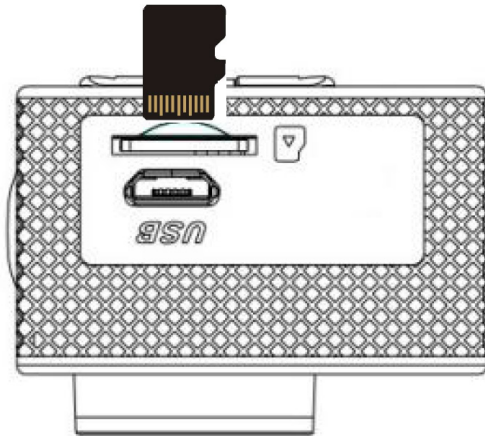
The camera is equipped with a built-in 3.7V lithium battery. Please ensure it is charged before first time use.

Connecting the camera to a computer for charging, the light indicator will turn on and will turn off once the action camera is fully charged. (takes about 4 hours)/

MEMORY CARD USE

NOTE: Memory card is not included

The micro SD card can be inserted on the side of the camera, on the side the Micro USB is located.



To remove the Micro SD Card, Press the end of the inserted memory card gently, the card will be ejected.

ACCESSING FILES

Accessing files from a computer

Using the Micro USB cable provided, plug in your Aciton Camera to your PC and your PC will automatically detect the action camera. You will then be able to access all the Video's and Photo's taken.

Viewing the files from a TV

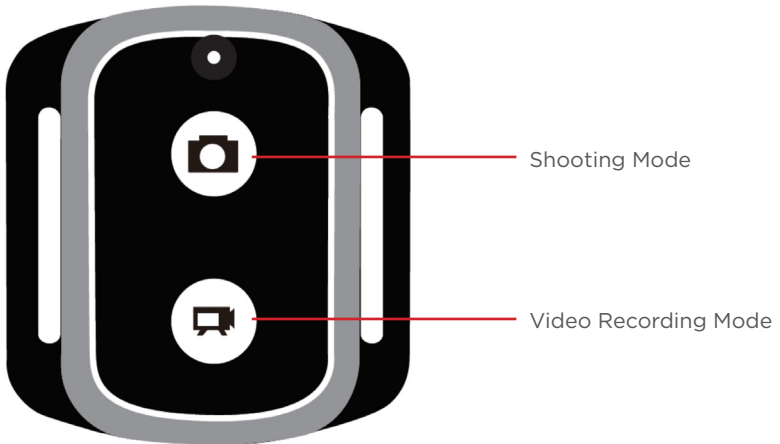
Using the Micro USB cable provided, plug in your Aciton Camera to your TV. Your TV will then automatically detect the USB device. You will then have to Select USB mode on your TV (refer to your TVs Instruction Manual).

WRIST REMOTE CONTROL

1. Undo the strap and fit it around your left wrist, please ensure it is on your left wrist as the infrared sensor will need to face towards the Action Camera to work correctly.

2. To take a Photo, press the Photo (Camera) button to take a photo.
If in another mode, press the button once and it will take it to "Shooting Mode", then press again to take a photo.

3. To take a Video Recording, Press the video recording button (film) to start recording, press again to stop. If in another mode, press the button once and it will take it to "Video Recording Mode", then press again to start video recording.



FIRST TIME USE

Turning on the Action Camera

To turn on the camera, press the power button and hold the power button for 3 seconds.

To shut down the camera, hold power button for 3 seconds.

Auto shutdown

The action camera will automatically shutdown when the camera hasnt been in use for a certain time to save power. The default time for auto shutdown is 3 minutes.

Navigating through Camera Modes

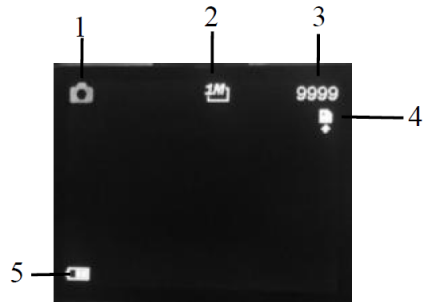
The Action Camera has 4 modes.

1. Shooting Mode
2. Car-Carrying mode
3. Video Recording Mode
4. Replay Mode

Shooting Mode

After Action Camera is turned on, the camera will initially start on "Shooting Mode", Pressing the OK button is used to take photos.

1. Icon of Shooting Mode
2. Size of video, options of:
VGA/1M/2M/3M/5M
3. Counter indicating number of photos taken
4. Icon if Micro SD card is inserted
5. Battery Indicator



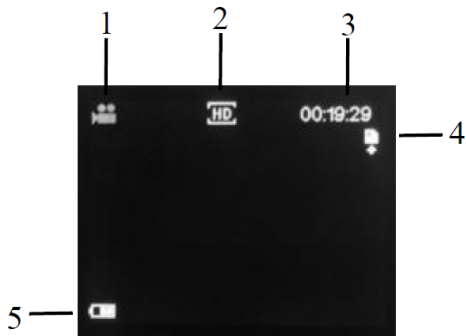
FIRST TIME USE (CONT.)

Video Recording Mode

After Action Camera is turned on, press the Mode button to enter recording mode. Press OK button to start video recording.

If you want to stop recording, press OK button.

1. Icon of Video Recording Mode
2. Size of video, options of:
Full HD - 1920X1080 25fps
HD - 1280X720 30fps
VGA - 640X480 60fps
3. Recording time
4. Icon if Micro SD card is inserted
5. Battery Indicator

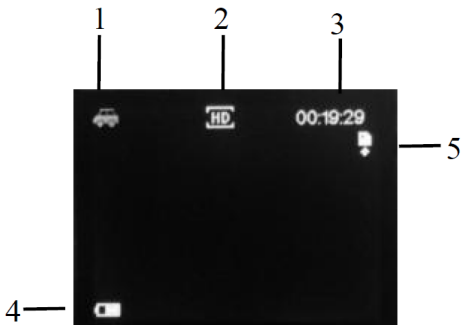


Car Carrying Mode

After Action Camera is turned on, press the Mode button until you to enter car carrying mode. Press OK button to start video recording.

If you want to stop recording, press OK button.

1. Icon of Car Carrying Mode
2. Size of video, options of:
Full HD - 1920X1080 25fps
HD - 1280X720 30fps
VGA - 640X480 60fps
3. Recording time
4. Icon if Micro SD card is inserted
5. Battery Indicator



FIRST TIME USE (CONT.)

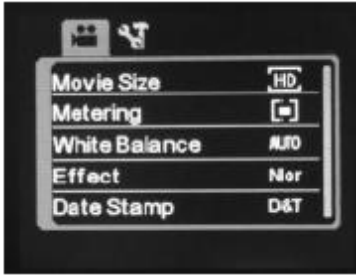
Replay Mode

After Action Camera is turned on, press the Mode button until you enter recording mode. Press OK button to start video recording.

When video file being played, press OK to pause, play and click power to stop playing. Press Mode button if you want to go back to Shooting Mode.

Menu Operation

There are different menus for each working mode shown in the following figures:



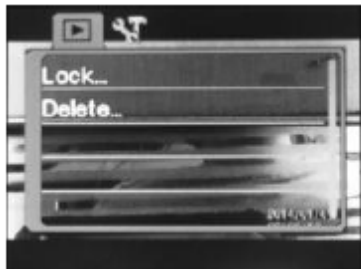
Recording Menu



Shooting Menu



Setting Menu



Replay Menu

Operation

Press the power button, the menu for this mode will be displayed. Pressing the mode key again will move the selection left or right. Pressing the up and down arrows will help you navigated up or down. Press the OK button to confirm, or press the Power button to exit from menu mode.

SPECIFICATIONS

Function Modes	Video Recording, Car Carrying, Shooting and replay
Lens:	F2.6 f=3.56mm
LCD Display Screen:	2.0 inch TFT LCD Screen
Photo Definition Ratio:	5M(2592*1944) / 3M(2048*1536) / 1M(1280*960) / VGA(640*480)
Video Definition Ratio:	Full HD - 1920X1080 25fps HD - 1280X720 30fps VGA - 640X480 60fps
File Formats:	Videos(AVI) / Photos(JPG)
USB Port:	USB 2.0 Port
Power Supply:	USB: 5V, 500mA / Battery: 3.7V, 500mAh
Language:	English, Chinese, Italian, French, Spanish
Dimensions:	61 x 41 x 30 mm (W x H x D)

URBANWORX™

CUSTOMER HELPLINE:

1300 296 699

info@ayonz.com

DISTRIBUTED BY:

Ayonz Pty Ltd

PO Box 3291, North Strathfield, NSW, 2137