

URBANWORX

FOOD SPIRALIZER

UFS-7



INSTRUCTION MANUAL

Please read this manual carefully before using, and keep it for future reference.

CONTENTS

General Safety	4
Before first use	6
Product Overview	7
Product Instructions	8
Best Results while Food Cutting	10
Processing Food	10
When Food Processing is Completed	11
Troubleshooting	Last Page
Specification	Last Page
Customer Support	Last Page

GENERAL SAFETY

Read this manual thoroughly before you start using the food spiralizer. Store this manual, the completed warranty card, your receipt and the product packaging.

The safety precautions instructions reduces the risk of fire, electric shock and injury when correctly complied to.

Please follow all instructions and take notice of all warnings.

IMPORTANT INFORMATION

- Do not expose this product to rain or moisture.
 - Do not temper or change or modify the product in any way.
 - Only use Accessories outlined and recommended by the manufacturer.
 - Please do not expose the product to splashing or water contact
-
- The apparatus shall not be exposed to dripping or splashing and no objects filled with liquids, such as vases, shall be placed on the product. Dry location use only.
 - No naked flame source, such as candles, should be placed on the product.
 - This appliance is not to be used by persons (including children) with reduced physical, sensor or mental capabilities, or lack of experience and knowledge, unless they have been given supervision or instruction.
Children being supervised not to play with the appliance.
 - Only connect the product to a line voltage of the socket corresponds to the data on the rating plate.
 - Do not use this product if it is damaged or if the mains cord or plug is defective.
 - If the supply cord is damaged, it must be replaced by the manufacturer, its service agent or a similarly qualified persons in order to avoid a hazard.
 - Do not open the housing; instead, have a qualified workshop for this. Liability and warranty claims are waived in the event of repairs performed by a user, improper connection or incorrect operation.

GENERAL SAFETY (CONT.)

- If you notice any unusual odors or smoke around the unit, immediately turn off the device and contact the service center. Failure to do so may result in fire or electric shock.
- Please beware that Dust could accumulate over time on the unit and cause it to generate heat and or deteriorate insulation, which in turn may result in an electrical fire.
- To maintain the product do not use any chemical or cleaning agent or wet cloth, please only ensure to utilize a dry cloth to wipe it down from marks or dust and only after unplugging the product from the power socket.
- Please ensure to contact our call center for any repair or service required for the products.

Please make sure upon positioning this product, the place is:

- Not wet or damp and Well ventilated
- Away from direct sunlight or heaters.
- Away from splashes or food.
- Protected from excessive dust or grease.
- Do not place the Product near heat sources such as radiators, stoves or other audio visual equipment that produce heat.
- Do not place small metallic objects on top of the unit.
- Do not use or store flammable or combustible materials near the unit. Doing so may result in fire or explosion. Do not place any naked flame sources, such as lit candles, cigarettes or incense sticks on top of the product.

RISK OF INJURY!

- Do not touch the sharp blades
- Handle the blades with care. Only touch the plastic parts when installing or removing the blades.

RISK OF DAMAGE

Overuse of the product may result in damage

- Do not use the product continuously for more than 60 seconds.
- Let the product cool down after it has been used for 3 consecutive cycles.

GENERAL SAFETY (CONT.)

Before first use

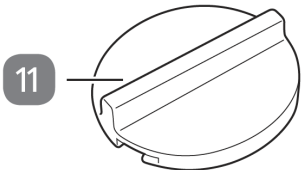
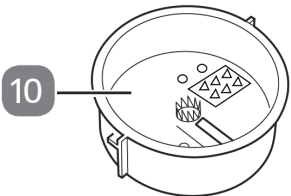
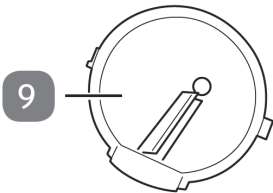
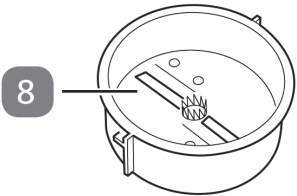
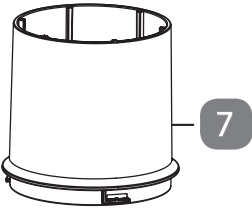
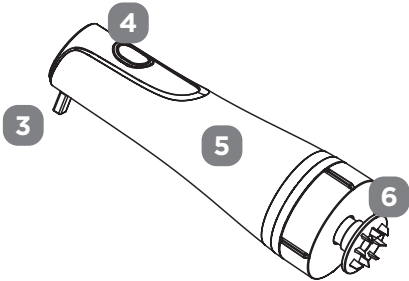
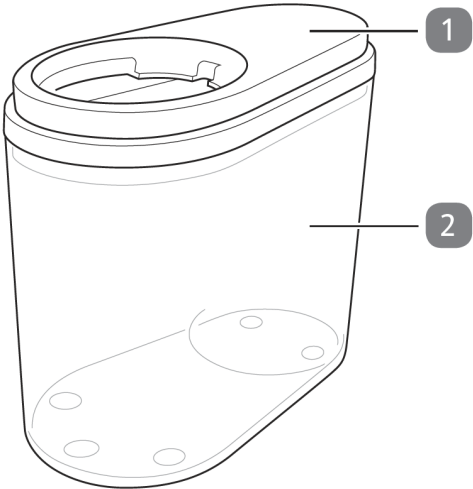
- Unpack the product and accessories and ensure all parts of the product are undamaged and in good working order.
- Plastic wrapping can be a suffocation hazard for babies and young children, so ensure all packaging materials are out of their reach and disposed of safely.
- Unwind the power cord to its full length and inspect it for damage before each use. Do not use the product if it or its cord has been damaged or is not working properly. In case of damage, contact our after sales support line for advice on examination, repair or return of the damaged product.
- Ensure the product is not exposed to direct sunlight or placed near a heater or other heat source.

WARNING

- Make sure children do not use this product.
- When changing spiralizer attachments and unscrewing the food chute from the container base, make sure to place the attachments that contains blades in a safe area, out of reach from person(s) or children.
The blades are sharp and will cause harm if not handled carefully.
- The attachments contains blades that will cut you if not handled carefully. When switching between attachments, make sure to hold areas of the attachments that are plastic, and not to hold and blade sections.

PRODUCT OVERVIEW

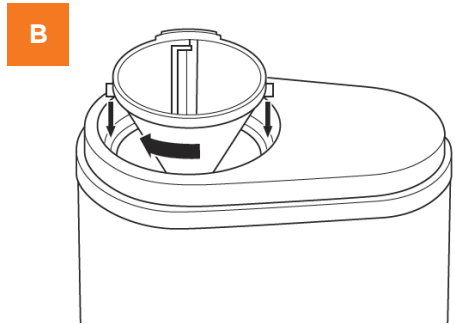
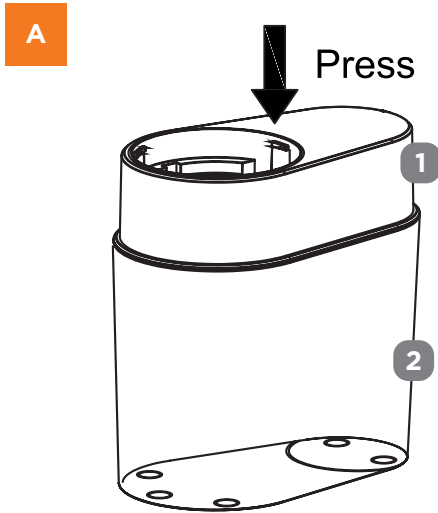
- 1 Lid
- 2 Container
- 3 Mains cord
- 4 Power button
- 5 Motor unit
- 6 Food holder
- 7 Food chute
- 8 Large spiral blade
- 9 Wide ribbon blade
- 10 Shredded blade
- 11 Lid cover



PRODUCT INSTRUCTIONS (1)

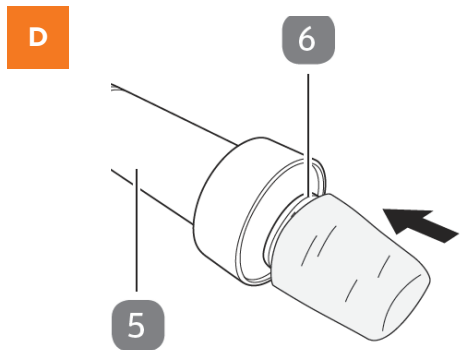
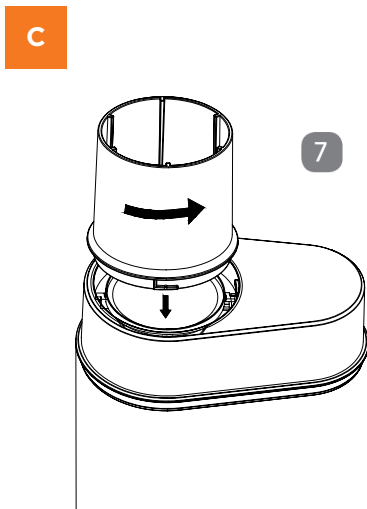
- | | | |
|----------------|----------------------|---------------------|
| 1 Lid | 5 Motor unit | 9 Wide ribbon blade |
| 2 Container | 6 Food holder | 10 Shredded blade |
| 3 Mains cord | 7 Food chute | 11 Lid cover |
| 4 Power button | 8 Large spiral blade | 12 Ribs |

STEPS

A**B****C****D**

WARNING

Be careful when holding the attachment. Make sure you hold the plastic part and not the blade itself. If not handled correctly you can harm yourself.

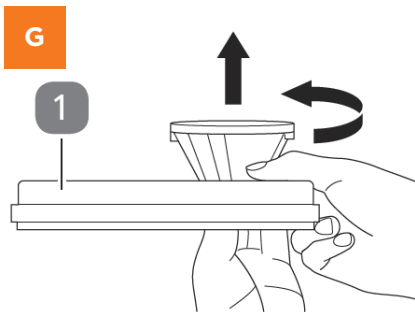
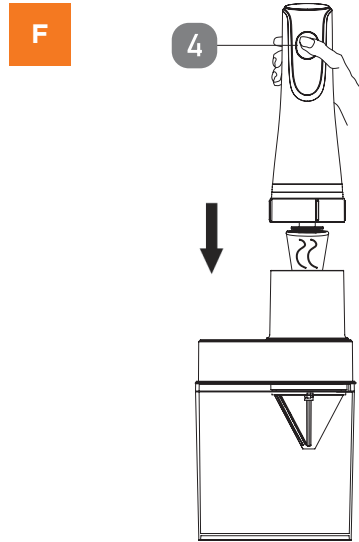
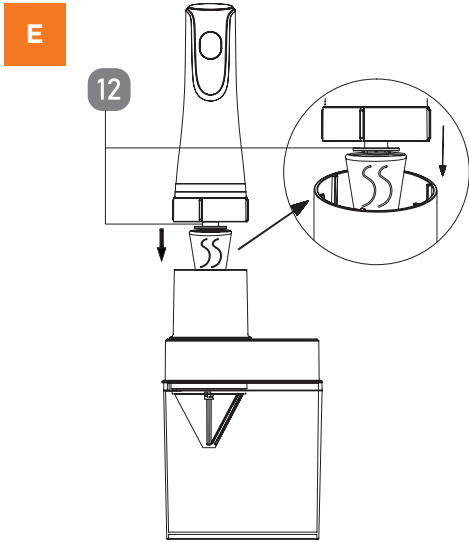


Press the Food Holder (6) into the food you want to spiralize to hold in place inside the food chute (7).

PRODUCT INSTRUCTIONS (2)

- | | | |
|----------------|----------------------|---------------------|
| 1 Lid | 5 Motor unit | 9 Wide ribbon blade |
| 2 Container | 6 Food holder | 10 Shredded blade |
| 3 Mains cord | 7 Food chute | 11 Lid cover |
| 4 Power button | 8 Large spiral blade | 12 Ribs |

STEPS E F G H



WARNING

Be careful when holding the attachment. Make sure you hold the plastic part and not the blade itself. If not handled correctly you can harm yourself.

PRODUCT INSTRUCTIONS (CONT.)

FOR BEST RESULTS WHILE FOOD CUTTING

For best results, cut the food to be processed into long pieces that are no longer than the height of the food chute and no more than 7cm in diameter. Also cut flat the top of the food so that the food holder can be attached to it easier.

Recommended foods are carrots, radishes, cucumbers, sweet potatoes, pumpkins, and regular potatoes.

PROCESSING FOOD

Please refer to **product overview** list on **page 7 of manual**.

1. Place the lid **(1)** on the top of the container **(2)**
2. Install the blade **(8 / 9 / 10)** of your choice inside the lid by aligning the tabs on the blade with the notches of the lid. Then turn the attachment clockwise until it locks into place.
3. Install the food chute **(7)** onto the lid. Then rotate the food chute clockwise until you hear a clear sound to lock into place.
4. Insert the food holder **(6)** onto the food you are going to process. (please refer to best result information at top of this page).
5. Attach the food holder (with the food) onto the motor unit **(5)**.
6. Connect the plug of the mains cord **(3)** to a mains socket.
7. Slide the motor unit into the food chute by aligning the ribs **(12)** and placing the food against the blade attachment.

Large Spiral Blade (8) - Place the food onto the centre spikes of the blade.

Wide Ribbon Blade (9) / Shredded Blade (10) -
Place the food into the cone of the blade.

PRODUCT INSTRUCTIONS (CONT.)

8. Press the power button **(4)** while slowly pressing down on the motor unit into the food chute. The food will be processed through the blade.

Place your other hand on the lid to secure the stability of the container.

Make sure you align the ribs on the motor unit and the food chute when pressing down the motor unit.
9. Release the power button when most of the food is processed and remove the motor unit from the food chute.

Approximately 1cm of food will remain unprocessed.
10. Disconnect the mains cord from the mains socket.

RISK OF INJURY!

- Do not touch the sharp blades
- Handle the blades with care. Only touch the plastic parts when installing or removing the blades.

WHEN FOOD PROCESSING IS COMPLETED

1. Turn the food chute **(7)** anti-clockwise and then lift it off from the lid **(1)**.
2. Remove the lid (with the blade) from the container **(2)**.
3. Hold the lid with one hand and place your other hand underneath the attachment **(8 / 9 / 10)**. Rotate the attachment anti-clockwise and then push it up to detach it from the lid.

WARNING: Only touch the plastic parts. Do not touch the sharp blades.
4. Empty the processed food from the container.
5. Clean all parts after use.

TROUBLESHOOTING

Some problems may be caused by minor faults that you can fix yourself. To do so, follow the instructions in the following table. If it is still not possible to resolve the problem, contact our call centre at info@ayonz.com.

Do not attempt to open and repair the unit yourself.

Problem	Possible cause and solution
The motor unit does not work.	<ul style="list-style-type: none">- Check and ensure that the product is properly connected to a mains socket, the mains socket is not defective and power is switched on at the socket.
Food is not processed properly.	<ul style="list-style-type: none">- Make sure the blade is securely installed.- Make sure the food is placed at the centre of the blade.- Make sure the motor unit is correctly inserted into the food chute by aligning the ribs.

SPECIFICATIONS

Power Supply	220-240V
Rated Frequency	50/60Hz
Rating Power	100W
Container Capacity	Approx. 2.7L
Weights	Net: 1.2 kg / Gross: 1.36 kg
CONTAINER	185 (w) x 113 (d) x 240 (h) mm
ELECTRIC UNIT	75 (w) x 75 (d) x 260 (h) mm
ASSEMBLED UNIT	185 (w) x 113 (d) x 510 (h) mm

URBANWORX

CUSTOMER HELPLINE: info@ayonz.com

DISTRIBUTED BY: Ayonz Pty Ltd