

URBANWORX

MULTIFUNCTIONAL THERAPY CUPPING MASSAGER

UXMTCUP



INSTRUCTION MANUAL

Please read this manual carefully before using, and keep it for future reference.

CONTENTS

General Safety	4
Product Overview	7
Operation Instructions	8
Charging Method	10
Precautions For Battery Disposal	10
Safety Precautions	11
Cleaning and Maintenance	13
Fault Analysis and Troubleshooting	14
Specification	15
Customer Support	Last Page

GENERAL SAFETY

Read this manual thoroughly before you start using the product.

Store this manual, the completed warranty card, your receipt and the product packaging.

The safety precautions instructions reduces the risk of fire, electric shock and injury when correctly complied to.

Please follow all instructions and take notice of all warnings.

IMPORTANT INFORMATION

- Do not expose this product to rain or moisture as it may result in fire.
- Do not temper or change or modify the product in any way.
- Only use Accessories outlined and recommended by the manufacturer.
- Please do not expose the product to splashing or water contact

- The apparatus shall not be exposed to dripping or splashing and no objects filled with liquids, such as vases, shall be placed on the product. Dry location use only.
- No naked flame source, such as candles, should be placed on the product.
- The product must only be supplied at safety extra low voltage corresponding to the marking on the appliance.

GENERAL SAFETY (CONT.)

- If you notice any unusual odors or smoke around the unit, immediately disconnect the unit from the outlet and contact the service center. Failure to do so may result in fire or electric shock.
- When not using the unit for long periods of time. Please disconnect the product from main power.
- The product is not intended for use by persons (including children) with reduced physical, sensory or mental capabilities, or young children of any age, They must be supervised product by a person responsible for their safety.
- To maintain the product do not use any chemical or cleaning agent or wet cloth, please only ensure to utilize a dry cloth to wipe it down from marks or dust and only after unplugging the product from the power socket.
- Please ensure to contact our call center for any repair or service required for the products.

Please make sure upon positioning this product, the place is:

- Not wet or damp and Well ventilated
- Away from direct sunlight or heaters.
- Away from splashes or food.
- Protected from excessive dust or grease.
- Do not place the Product near heat sources such as radiators, stoves or other audio visual equipment that produce heat.
- Do not place small metallic objects on top of the unit.
- Do not use or store flammable or combustible materials near the unit. Doing so may result in fire or explosion. Do not place any naked flame sources, such as lit candles, cigarettes or incense sticks on top of the product.
- The battery must be removed from the appliance before it is scrapped;
 - The appliance must be disconnected from the supply mains when removing the battery.
 - The battery is to be disposed of safely.

This appliance containing batteries that are non-replaceable, when the battery is at end of life the appliance shall be properly disposed of.

GENERAL SAFETY (CONT.)

Before first use

- Unpack the product and ensure all parts of the product are undamaged and in good working order.
- Do not use the massager in a bathroom or a similarly humid area as such an environment may reduce the lifespan of the massager mechanism.
- Ensure the massager is not exposed to direct sunlight or placed near a heater or other heat source.
- Your massager comes pre-assembled, use it straight away.

Consult your doctor prior to using if:

- You are pregnant
- You have a cardiac pacemaker, artificial joints or electronic implants
- You suffer from one or more of the following illnesses and complaints: circulation disorders, varicose veins, open wounds, bruises, broken skin, inflammation of the veins, skin eruptions.

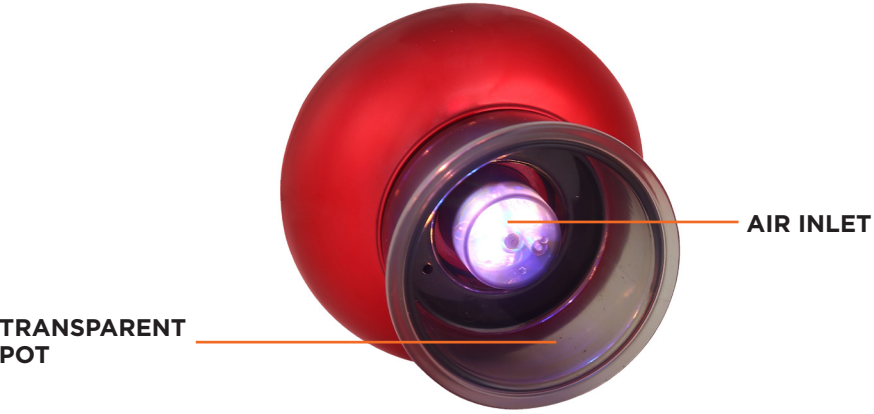
Do not use this product:

- To supplement or replace medical treatment. Chronic complaints and symptoms may be made worse.
- If you have circulatory problems or on areas sensitive to heat.
Risk of burning!

CAUTION!

- This product is a non-professional appliance designed to provide a soothing massage. Do not use this product as a substitute for medical attention. If you have any concerns regarding your health, consult your doctor before using the product.
- Never use this massager if you suffer from any physical ailment that would limit your capacity to operate the controls or if you have sensory deficiencies.
- The appliance has a heated surface. Persons insensitive to heat must be careful when using the appliance.

PRODUCT OVERVIEW



OPERATION INSTRUCTIONS

PREPARATION BEFORE USE

1. Please read the safety precautions carefully when using this product. Those who do not meet the conditions for use, disable this product.
2. It is recommended to clean and moisturize the skin with wet wipes or sprays to improve the sense of use experience.
3. Tighten and install the transparent tank (wipe the instrument with wet wipes before and after use).
4. Check whether the instrument is complete and normal.

POWER / MODE KEY

1. Press and hold for 1.5 seconds to start the machine, and the LCD displays the 20 minute countdown (this machine has a 20 minute timer, and it will automatically shut down after 20 minutes).
2. Press and hold for 1.5 seconds to turn off the machine and turn off the LCD.
3. In the power on state, press to switch the mode. This machine has two modes, deep negative pressure mode and soothing breathing mode
4. The default startup mode is deep negative pressure mode, and the negative pressure function and heating function are automatically turned on.

SUCTION STRENGTH KEY

1. The default power on is level 2.
2. Click to adjust the suction strength from gear 1 to 12, and gear 0 is to turn off the negative pressure function.
3. Press once every time, increase 1 gear upward, and the LCD displays the corresponding intensity gear at the same time. After 1 second, the 20 minute countdown will be displayed again.
4. Press it again when the intensity reaches the highest gear, and it will return to gear 0 to turn off the negative pressure function.
5. It is recommended to use it from level 1 for the first time or when the skin is not adapted.

TEMPERATURE CONTROL KEY

1. By default, the startup temperature is 45 degrees. The red light at the bottom is on. Short press to adjust the temperature. The temperature is 45 degrees, 50 degrees and 55 degrees. Gear 0 turns off the heating function.

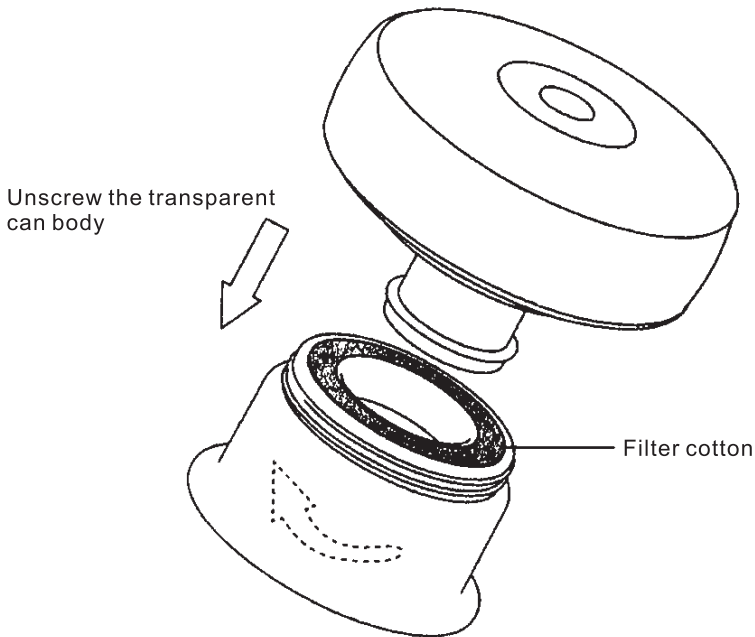
OPERATION INSTRUCTIONS

PRESSURE RELIEF / PAUSE KEY

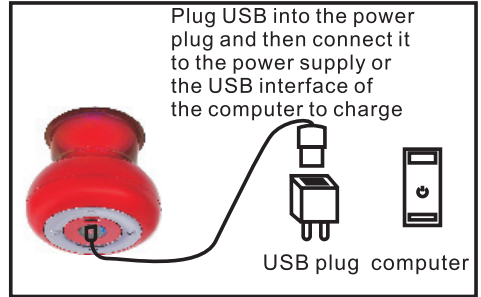
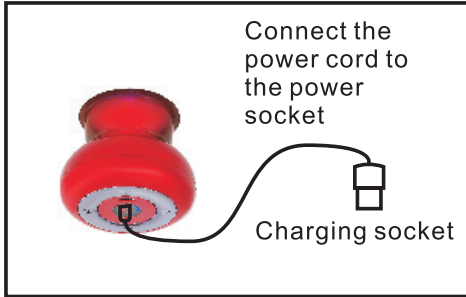
If you want to stop or remove the product during the cupping process, briefly press this key to pause the cupping adsorption function and relieve the pressure, and you can easily lift the cupping and enter the standby state.

NOTE:

1. When using this machine with liquid peripheral products such as essential oil, please be sure to apply the essential oil evenly on the surface of the skin without obvious liquid, and then adsorb this machine to the required position.
2. This machine is closely designed with a filter device, which can filter out most of the granular or liquid impurities during the use of the product, so as to protect the internal cleaning of the machine body and maintain the service life of the product. Please check and replace the filter cotton regularly according to your personal use frequency.



CHARGING METHOD



Connect the adapter or charge the computer through the USB data cable. (Please use a qualified charger to charge this product. Due to the different charging methods and charging environment, the charging time is different.)

PRECAUTIONS FOR BATTERY DISPOSAL

When the battery installed in the appliance contains materials harmful to the environment, the instructions for the appliance should give detailed steps for how to take out the battery and point out:

1. Before discarding the appliance, the battery must be taken out of the appliance.
2. When taking out the battery, the appliance must be powered off.
3. The battery should be disposed of safely.

SAFETY PRECAUTIONS

- **DANGER** (contents related to serious personal injury caused by wrong operation)

Do not use with the following medical electronic equipment at the same time, which will cause errors or damage to the medical equipment and seriously endanger life!

1. Cardiac pacemaker and other implantable medical electronic devices.
2. Life sustaining medical electronic devices such as artificial heart and lung.
3. Electrocardiograph and other medical electronic instruments.
4. Patients with other medical implants.

Please do not use under the following circumstances to avoid accidents or discomfort.

1. Patients with pregnancy, menstruation, damaged epidermis, varicose veins and taking drugs.
2. Patients with infectious diseases, skin sensitivities, postoperative patients, high fever or critical illness are prohibited.
3. Malignant tumor patients or patients with local damage and ulceration, traumatic fracture, acute suppurative inflammation and loss of skin elasticity.
4. Patients with abnormal heart, brain nerve and blood pressure.
5. Severe neuroticism, convulsion, spasm and manic anxiety.
6. Bleeding prone diseases such as thrombocytopenia, leukemia, hemophilia, Henoch Schonlein purpura and other bleeding diseases.
7. Near the heart, facial features, private parts or large blood vessels on the body surface.
8. Patients with skin perception disorder or abnormal skin.
9. A patient who is being treated by a doctor or feels physically abnormal.
10. Excessive fatigue, drunkenness and staying up too late (2 hours before and after meals are also prohibited).
11. Patients with skin allergy to metal and red light.
12. The product has a hot surface, which is not sensitive to heat, children, people who can't express their wishes freely or take care of themselves.



ATTENTION (relevant contents that incorrect operation may cause serious personal injury)

1. Please use this product correctly according to the instructions.
2. When using the product, the transparent can body should be closely attached to the skin and evenly contacted to avoid contact with wounds and scars.
3. The same part of this product may cause low-temperature scald or skin strain when used for a long time. Please pay attention to the use.
4. If you feel unwell during or after use, please stop immediately and consult a doctor.
5. It is recommended that one user use it. Please shut down and clean the transparent tank before using it by cross users.
6. Do not use a chipped or damaged transparent tank.
7. After using this product, redness or ecchymosis appear, which is a normal phenomenon, and usually will subside naturally within 2 days (it will vary according to everyone's skin type).
8. When the product works for a long time, there will be heating on the surface, which is a normal phenomenon.
9. In case of abnormal conditions, please remove it immediately.
10. Do not use this product while driving.
11. Do not plug and unplug the USB charging cable with wet hands to prevent electric shock or accidents.
12. This product contains lithium battery. Please do not disassemble, modify, immerse in water or throw it into the fire to prevent damage and explosion of the product.
13. After use, the blood vessels on the surface of the skin should rest for 45 minutes before bathing.

CLEANING AND MAINTENANCE

- **Please observe the cleaning and maintenance methods to prolong the service life of the instrument:**
 1. Please use dry non-woven cloth to wipe the fuselage. Do not use acid-base detergent, alcohol, thinner, gasoline, nail remover and other solvents for cleaning.
 2. Please turn off the power supply and clean it after each use (with wet wipes).
 3. Please store this product in a safe and dry place.
 4. Do not leave this product idle when there is water residue.
 5. Do not use a hard brush or stainless steel ball to wipe, so as not to damage the surface.
 6. Do not use water and other liquids to directly inhale the instrument for flushing.
 7. When the product is idle for a long time, please charge the product regularly to ensure its normal operation.

Do not use or store this product in the following places:

- Places vulnerable to vibration and impact; Places with direct sunlight;
- Places with high temperature and humidity; Places with water, strong electromagnetic places; Near fireworks; Places accessible to children, etc.

FAULT ANALYSIS AND TROUBLESHOOTING

FAULT PHENOMENON	FAULT JUDGMENT AND SOLUTION
<p>Unable to power on</p>	<ol style="list-style-type: none"> 1. Press and hold the power button for more than 1.5 seconds to start up. 2. Please charge the machine and try again.
<p>Unable to charge</p>	<ol style="list-style-type: none"> 1. Replace the adapter with a row socket and try again. 2. Please pull out the charging head and plug it again and confirm that it is inserted in place. 3. Please check the charging head and charging port for dirt or sundries. If so, please clean it. 4. Replace the adapter or charging cable.
<p>Weak suction</p>	<ol style="list-style-type: none"> 1. Remove the transparent tank and re tighten it for installation. 2. Check whether the air inlet and exhaust holes are blocked. 3. Check whether the filter cotton needs to be replaced. 4. Check whether the strength gear is in the offset gear.
<p>Weak temperature sense</p>	<ol style="list-style-type: none"> 1. Check whether the temperature function is turned on and the temperature prompt light is on. 2. Due to the influence of ambient temperature, please increase the temperature gear. 3. The battery is low, please charge it.




If the problem cannot be solved, do not disassemble the machine without permission.

REMINDER

1. When using for the first time, please pay attention to step-by-step adjustment and find the mode and intensity suitable for yourself.
2. In the deep negative pressure mode, if the suction reaches a certain degree, please press the pressure relief/pause key to stop working or relieve the pressure in time, so as not to cause skin discomfort.

SPECIFICATIONS

Rated voltage	5V  1A
Battery Capacity	3.7V 1800mAh
Weights	Net: 0.2 kg
Operation time	15 minutes
Charging time	3 hours

URBANWORX

CUSTOMER HELPLINE:

info@ayonz.com

DISTRIBUTED BY:

Ayonz Pty Ltd